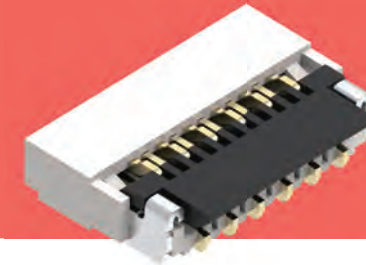
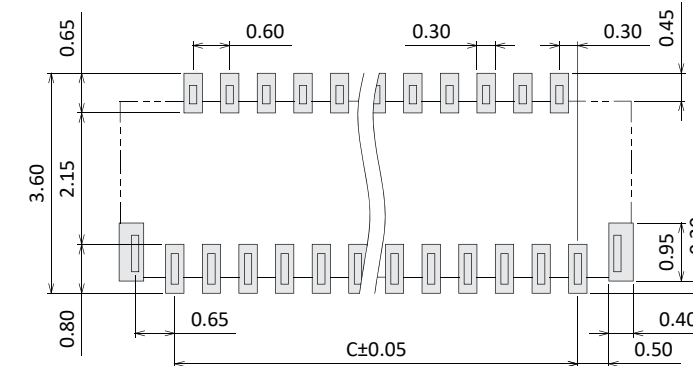
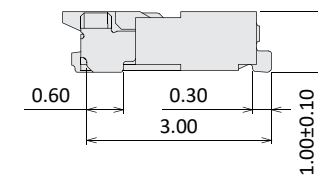
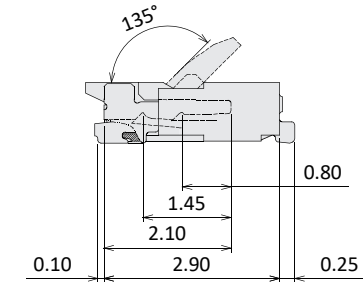
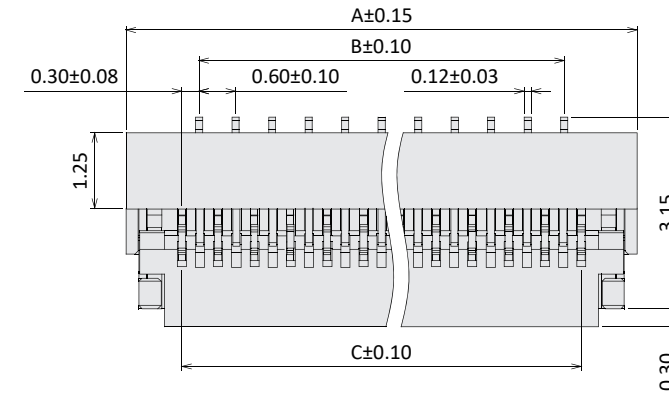


FPC Connector

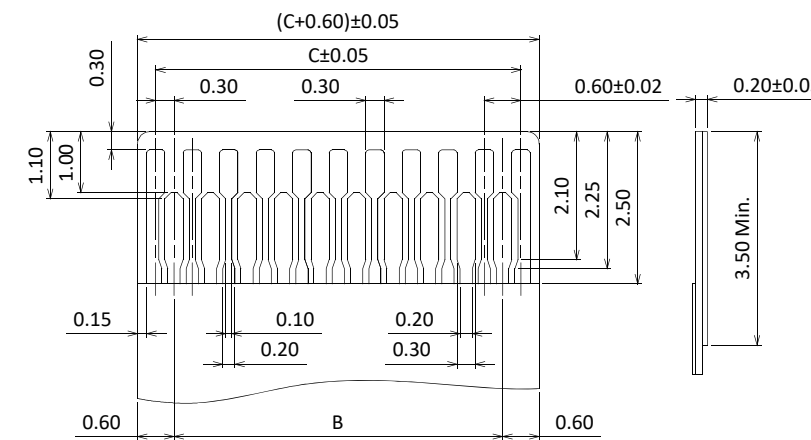
Current Rate: 0.3A
 Dielectric Voltage: 250V AC for one minute
 Insulation Resistance: 50MΩ Min.
 Contact Resistance: 30mΩ Max.
 Material Contact: Copper Alloy, Gold Plated
 Material Insulator: Hi-Temp. Plastic, UL94V-0
 Operating Temperature: -25°C~+85°C



FPC Connector ZIF Flip SMT Right Angle Type 0.30mm Pitch



PCB Layout
(Tolerance ±0.05)



FPC/FFC T=0.20±0.03

X = T:Tube
 R:Reel

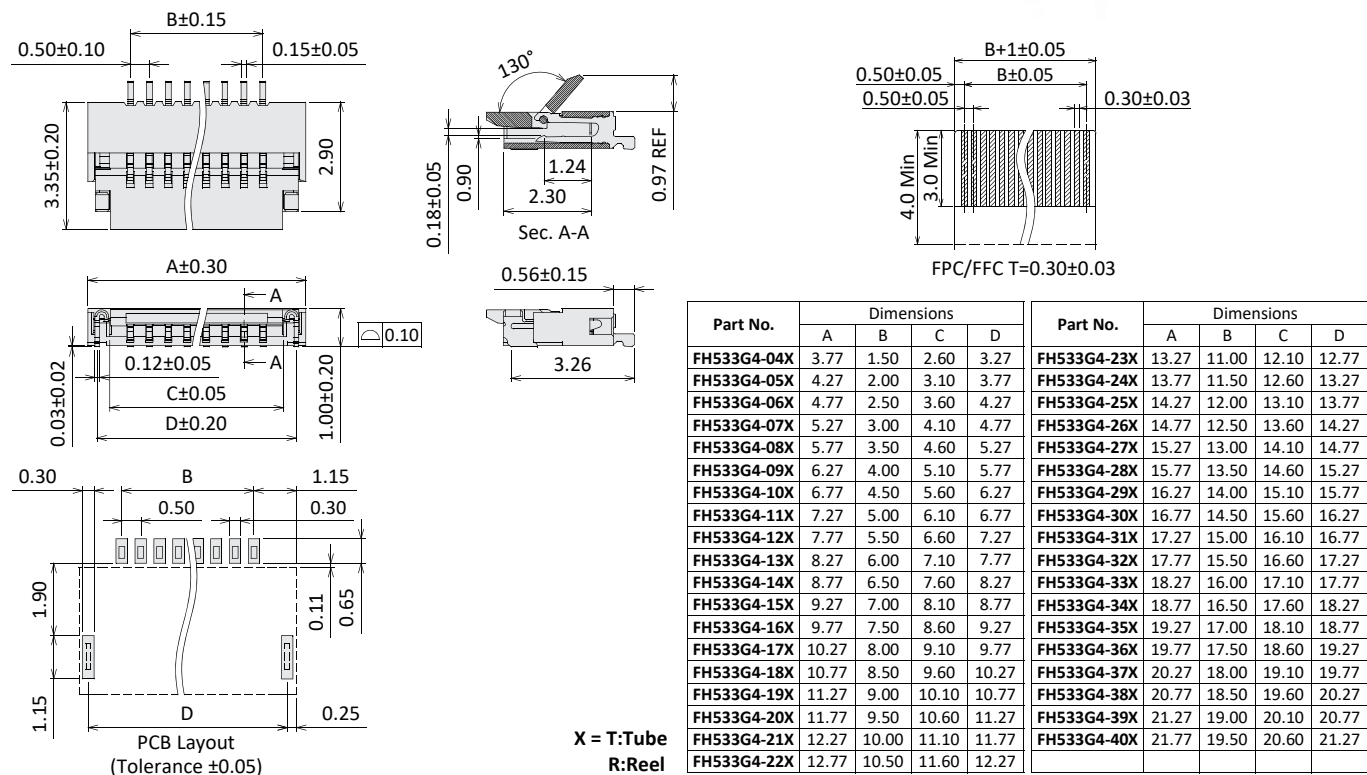
Part No.	Dimensions				
	A	B	C	D	E
FH320G4-09X	4.20	1.80	2.40	3.10	3.70
FH320G4-11X	4.80	2.40	3.00	3.70	4.30
FH320G4-13X	5.40	3.00	3.60	4.30	4.90
FH320G4-15X	6.00	3.60	4.20	4.90	5.50
FH320G4-17X	6.60	4.20	4.80	5.50	6.10
FH320G4-19X	7.20	4.80	5.40	6.10	6.70
FH320G4-21X	7.80	5.40	6.00	6.70	7.30
FH320G4-23X	8.40	6.00	6.60	7.30	7.90
FH320G4-25X	9.00	6.60	7.20	7.90	8.50
FH320G4-27X	9.60	7.20	7.80	8.50	9.10
FH320G4-29X	10.20	7.80	8.40	9.10	9.70
FH320G4-31X	10.80	8.40	9.00	9.70	10.30
FH320G4-33X	11.40	9.00	9.60	10.30	10.90
FH320G4-35X	12.00	9.60	10.20	10.90	11.50
FH320G4-37X	12.60	10.20	10.80	11.50	12.10
FH320G4-39X	13.20	10.80	11.40	12.10	12.70
FH320G4-41X	13.80	11.40	12.00	12.70	13.30
FH320G4-45X	15.00	12.60	13.20	13.90	14.50
FH320G4-49X	16.20	13.80	14.40	15.10	15.70
FH320G4-51X	16.80	14.40	15.00	15.70	16.30
FH320G4-57X	18.60	16.20	16.80	17.50	18.10
FH320G4-61X	19.80	17.40	18.00	18.70	19.30
FH320G4-67X	21.60	19.20	19.80	20.50	21.10
FH320G4-71X	22.80	20.40	21.00	21.70	22.30

FPC Connector

Current Rate: 0.4A
 Dielectric Voltage: 250V AC for one minute
 Insulation Resistance: 100MΩ Min.
 Contact Resistance: 30mΩ Max.
 Material Contact: Copper Alloy, Gold/Tin
 Material Insulator: Hi-Temp. Plastic, UL94V-0
 Operating Temperature: -25°C~+85°C

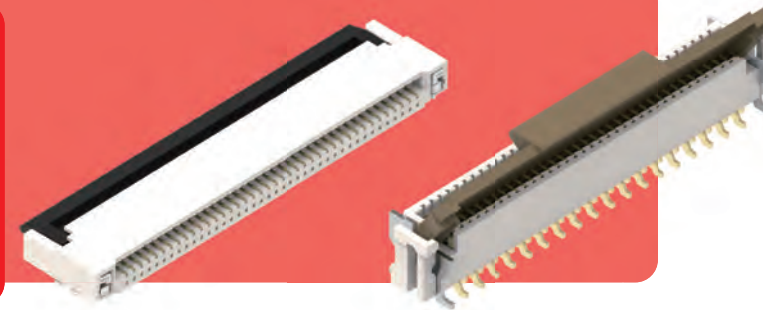


FPC Connector ZIF Flip SMT Right Angle Type 0.50mm Pitch

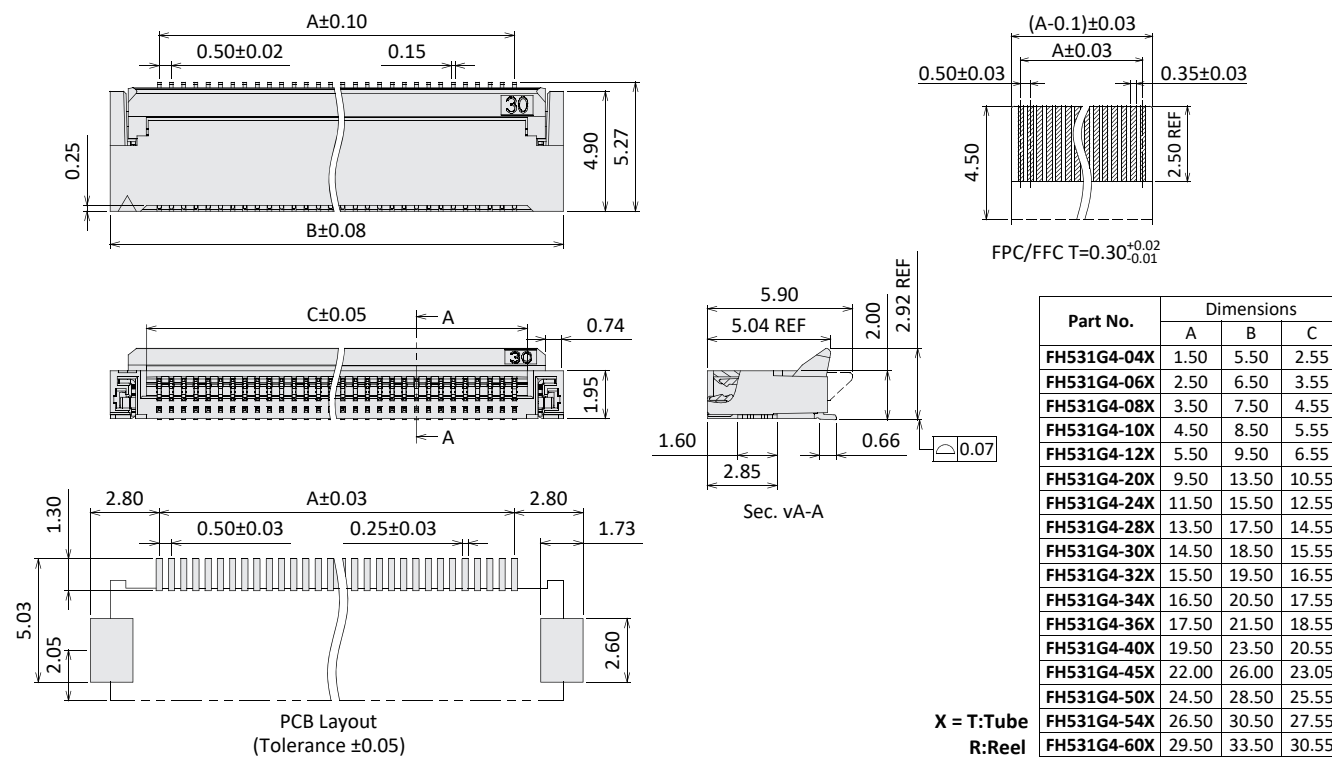


FPC Connector

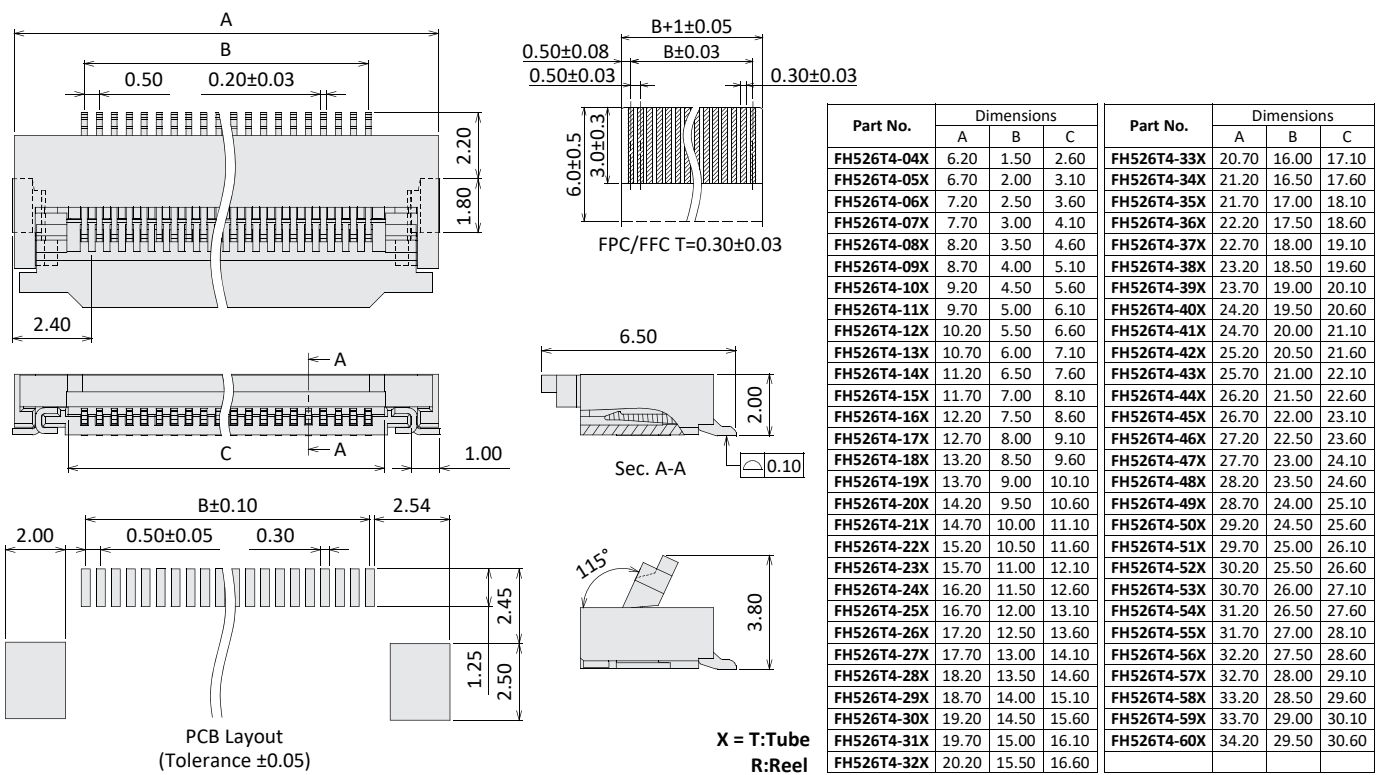
Current Rate: 0.4A
 Dielectric Voltage: 250V AC for one minute
 Insulation Resistance: 500MΩ Min.
 Contact Resistance: 40mΩ Max.
 Material Contact: Copper Alloy, Gold / Tin
 Material Insulator: LCP / NY 9T, UL94V-0
 Operating Temperature: -40°C~+85°C



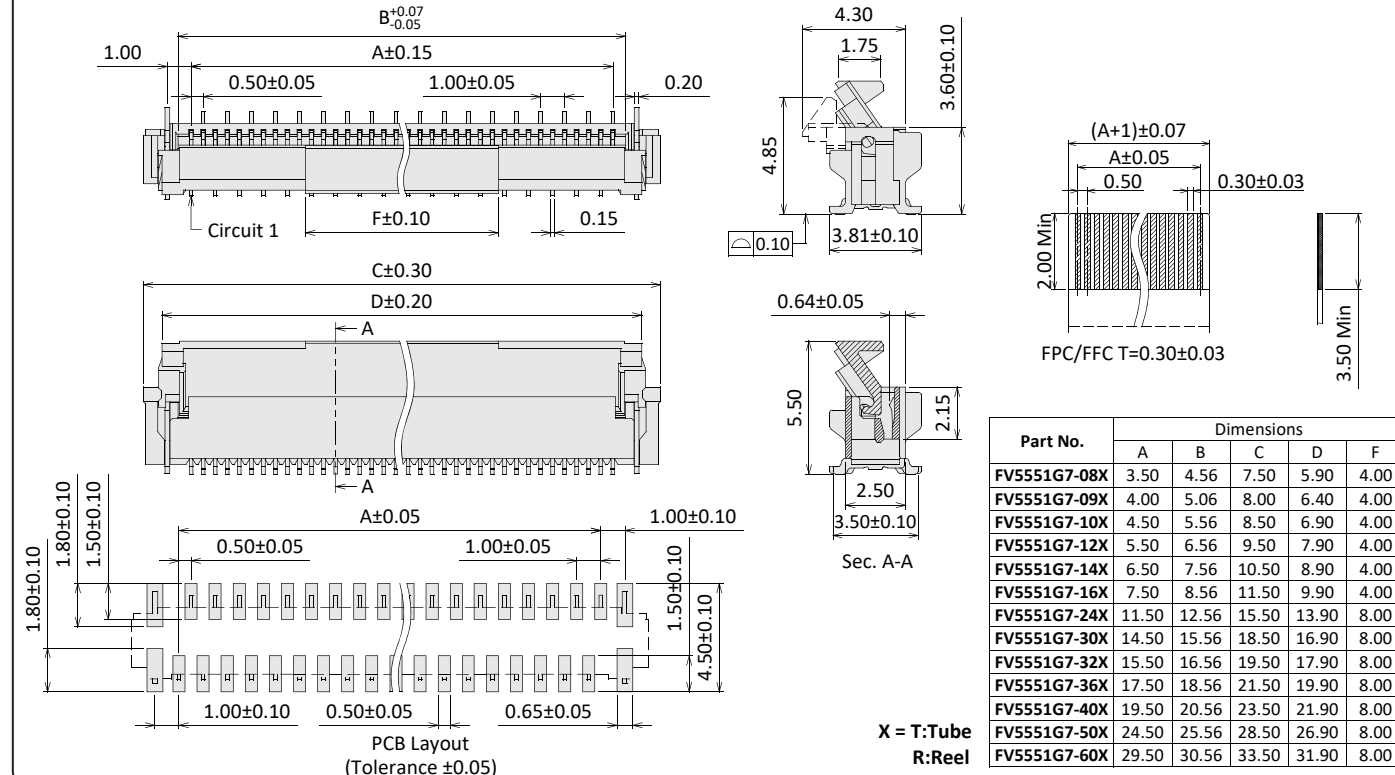
FPC Connector ZIF Back Flip SMT Right Angle Type 0.50mm Pitch



FPC Connector ZIF Flip SMT Right Angle Type 0.50mm Pitch



FPC Connector ZIF SMT Straight Type 0.50mm Pitch



FPC Connector

Current Rate: 0.4A
 Dielectric Voltage: 250V AC for one minute
 Insulation Resistance: 500MΩ Min.
 Contact Resistance: 40mΩ Max.
 Material Contact: Copper Alloy, Tin Plated
 Material Insulator: Hi-Temp. Plastic, UL94V-0
 Operating Temperature: -25°C~+85°C



FPC Connector ZIF SMT Right Angle Type 0.50mm Pitch

Dimensions

Part No. **Dimensions** **Part No.** **Dimensions**

Part No.	A	B	C	D	E	Part No.	A	B	C	D	E
FH520T4-04XX	7.60	6.50	1.50	2.60		FH520T4-33XX	22.10	21.00	16.00	17.10	5.20
FH520T4-05XX	8.10	7.00	2.00	3.10		FH520T4-34XX	22.60	21.50	16.50	17.60	
FH520T4-06XX	8.60	7.50	2.50	3.60		FH520T4-35XX	23.10	22.00	17.00	18.10	
FH520T4-07XX	9.10	8.00	3.00	4.10		FH520T4-36XX	23.60	22.50	17.50	18.60	
FH520T4-08XX	9.60	8.50	3.50	4.60		FH520T4-37XX	24.10	23.00	18.00	19.10	
FH520T4-09XX	10.10	9.00	4.00	5.10		FH520T4-38XX	24.60	23.50	18.50	19.60	
FH520T4-10XX	10.60	9.50	4.50	5.60		FH520T4-39XX	25.10	24.00	19.00	20.10	
FH520T4-11XX	11.10	10.00	5.00	6.10		FH520T4-40XX	25.60	24.50	19.50	20.60	
FH520T4-12XX	11.60	10.50	5.50	6.60		FH520T4-41XX	26.10	25.00	20.00	21.10	
FH520T4-13XX	12.10	11.00	6.00	7.10		FH520T4-42XX	26.60	25.50	20.50	21.60	
FH520T4-14XX	12.60	11.50	6.50	7.60		FH520T4-43XX	27.10	26.00	21.00	22.10	
FH520T4-15XX	13.10	12.00	7.00	8.10		FH520T4-44XX	27.60	26.50	21.50	22.60	
FH520T4-16XX	13.60	12.50	7.50	8.60		FH520T4-45XX	28.10	27.00	22.00	23.10	
FH520T4-17XX	14.10	13.00	8.00	9.10		FH520T4-46XX	28.60	27.50	22.50	23.60	
FH520T4-18XX	14.60	13.50	8.50	9.60		FH520T4-47XX	29.10	28.00	23.00	24.10	
FH520T4-19XX	15.10	14.00	9.00	10.10		FH520T4-48XX	29.60	28.50	23.50	24.60	
FH520T4-20XX	15.60	14.50	9.50	10.60		FH520T4-49XX	30.10	29.00	24.00	25.10	
FH520T4-21XX	16.10	15.00	10.00	11.10		FH520T4-50XX	30.60	29.50	24.50	25.60	
FH520T4-22XX	16.60	15.50	10.50	11.60		FH520T4-51XX	31.10	30.00	25.00	26.10	
FH520T4-23XX	17.10	16.00	11.00	12.10		FH520T4-52XX	31.60	30.50	25.50	26.60	
FH520T4-24XX	17.60	16.50	11.50	12.60		FH520T4-53XX	32.10	31.00	26.00	27.10	
FH520T4-25XX	18.10	17.00	12.00	13.10		FH520T4-54XX	32.60	31.50	26.50	27.60	
FH520T4-26XX	18.60	17.50	12.50	13.60		FH520T4-55XX	33.10	32.00	27.00	28.10	
FH520T4-27XX	19.10	18.00	13.00	14.10		FH520T4-56XX	33.60	32.50	27.50	28.60	
FH520T4-28XX	19.60	18.50	13.50	14.60		FH520T4-57XX	34.10	33.00	28.00	29.10	
FH520T4-29XX	20.10	19.00	14.00	15.10		FH520T4-58XX	34.60	33.50	28.50	29.60	
FH520T4-30XX	20.60	19.50	14.50	15.60		FH520T4-59XX	35.10	34.00	29.00	30.10	
FH520T4-31XX	21.10	20.00	15.00	16.10		FH520T4-60XX	35.60	34.50	29.50	30.60	
FH520T4-32XX	21.60	20.50	15.50	16.60							

Bottom Contact FH520T4-XXXB

Upper Contact FH520T4-XXXU

PCB Layout (Tolerance ±0.05)

FPC Connector ZIF SMT Straight Type 0.50mm Pitch

Dimensions

Part No. **Dimensions** **Part No.** **Dimensions**

Part No.	A	B	C	D	Part No.	A	B	C	D
FV520T4-04XX	1.50	2.60	6.35	7.65	FV520T4-33XX	16.00	17.10	20.85	22.15
FV520T4-05XX	2.00	3.10	6.85	8.15	FV520T4-34XX	16.50	17.60	21.35	22.65
FV520T4-06XX	2.50	3.60	7.35	8.65	FV520T4-35XX	17.00	18.10	21.85	23.15
FV520T4-07XX	3.00	4.10	7.85	9.15	FV520T4-36XX	17.50	18.60	22.35	23.65
FV520T4-08XX	3.50	4.60	8.35	9.65	FV520T4-37XX	18.00	19.10	22.85	24.15
FV520T4-09XX	4.00	5.10	8.85	10.15	FV520T4-38XX	18.50	19.60	23.35	24.65
FV520T4-10XX	4.50	5.60	9.35	10.65	FV520T4-39XX	19.00	20.10	23.85	25.15
FV520T4-11XX	5.00	6.10	9.85	11.15	FV520T4-40XX	19.50	20.60	24.35	25.65
FV520T4-12XX	5.50	6.60	10.35	11.65	FV520T4-41XX	20.00	21.10	24.85	26.15
FV520T4-13XX	6.00	7.10	10.85	12.15	FV520T4-42XX	20.50	21.60	25.35	26.65
FV520T4-14XX	6.50	7.60	11.35	12.65	FV520T4-43XX	21.00	22.10	25.85	27.15
FV520T4-15XX	7.00	8.10	11.85	13.15	FV520T4-44XX	21.50	22.60	26.35	27.65
FV520T4-16XX	7.50	8.60	12.35	13.65	FV520T4-45XX	22.00	23.10	26.85	28.15
FV520T4-17XX	8.00	9.10	12.85	14.15	FV520T4-46XX	22.50	23.60	27.35	28.65
FV520T4-18XX	8.50	9.60	13.35	14.65	FV520T4-47XX	23.00	24.10	27.85	29.15
FV520T4-19XX	9.00	10.10	13.85	15.15	FV520T4-48XX	23.50	24.60	28.35	29.65
FV520T4-20XX	9.50	10.60	14.35	15.65	FV520T4-49XX	24.00	25.10	28.85	30.15
FV520T4-21XX	10.00	11.10	14.85	16.15	FV520T4-50XX	24.50	25.60	29.35	30.65
FV520T4-22XX	10.50	11.60	15.35	16.65	FV520T4-51XX	25.00	26.10	29.85	31.15
FV520T4-23XX	11.00	12.10	15.85	17.15	FV520T4-52XX	25.50	26.60	30.35	31.65
FV520T4-24XX	11.50	12.60	16.35	17.65	FV520T4-53XX	26.00	27.10	30.85	32.15
FV520T4-25XX	12.00	13.10	16.85	18.15	FV520T4-54XX	26.50	27.60	31.35	32.65
FV520T4-26XX	12.50	13.60	17.35	18.65	FV520T4-55XX	27.00	28.10	31.85	33.15
FV520T4-27XX	13.00	14.10	17.85	19.15	FV520T4-56XX	27.50	28.60	32.35	33.65
FV520T4-28XX	13.50	14.60	18.35	19.65	FV520T4-57XX	28.00	29.10	32.85	34.15
FV520T4-29XX	14.00	15.10	18.85	20.15	FV520T4-58XX	28.50	29.60	33.35	34.65
FV520T4-30XX	14.50	15.60	19.35	20.65	FV520T4-59XX	29.00	30.10	33.85	35.15
FV520T4-31XX	15.00	16.10	19.85	21.15	FV520T4-60XX	29.50	30.60	34.35	35.65
FV520T4-32XX	15.50	16.60	20.35	21.65					

A Type FV520T4-XXXXA

B Type FV520T4-XXXB

PCB Layout (Tolerance ±0.05)

FPC Connector

Current Rate: 0.5A
 Dielectric Voltage: 500V AC for one minute
 Insulation Resistance: 500MΩ Min.
 Contact Resistance: 30mΩ Max.
 Material Contact: Copper Alloy, Gold / Tin
 Material Insulator: NY46 or LCP, UL94V-0
 Operating Temperature: -25°C~+85°C



FPC Connector Non ZIF SMT Right Angle Type 0.50mm Pitch

Dimensions

Part No. **Dimensions** **Part No.** **Dimensions**

Part No.	A	B	D	Part No.	A	B	D
FH5123G6-04X	4.10	3.25	2.60	FH5123G6-25X	14.60	13.75	13.10
FH5123G6-05X	4.60	3.75	3.10	FH5123G6-26X	15.10	14.25	13.60
FH5123G6-06X	5.10	4.25	3.60	FH5123G6-27X	15.60	14.75	14.10
FH5123G6-07X	5.60	4.75	4.10	FH5123G6-28X	16.10	15.25	14.60
FH5123G6-08X	6.10	5.25	4.60	FH5123G6-29X	16.60	15.75	15.10
FH5123G6-09X	6.60	5.75	5.10	FH5123G6-30X	17.10	16.25	15.60
FH5123G6-10X	7.10	6.25	5.60	FH5123G6-31X	17.60	16.75	16.10
FH5123G6-11X	7.60	6.75	6.10	FH5123G6-32X	18.10	17.25	16.60
FH5123G6-12X	8.10	7.25	6.60	FH5123G6-33X	18.60	17.75	17.10
FH5123G6-13X	8.60	7.75	7.10	FH5123G6-34X	19.10	18.25	17.60
FH5123G6-14X	9.10	8.25	7.60	FH5123G6-35X	19.60	18.75	18.10
FH5123G6-15X	9.60	8.75	8.10	FH5123G6-36X	20.10	19.25	18.60
FH5123G6-16X	10.10	9.25	8.60	FH5123G6-37X	20.60	19.75	19.10
FH5123G6-17X	10.60	9.75	9.10	FH5123G6-38X	21.10	20.25	19.60
FH5123G6-18X	11.10	10.25	9.60	FH5123G6-39X	21.60	20.75	20.10
FH5123G6-19X	11.60	10.75	10.10	FH5123G6-40X	22.10	21.25	20.60
FH5123G6-20X	12.10	11.25	10.60	FH5123G6-41X	22.60	21.75	21.10
FH5123G6-21X	12.60	11.75	11.10	FH5123G6-42X	23.10	22.25	21.60
FH5123G6-22X	13.10	12.25	11.60	FH5123G6-43X	23.60	22.75	22.10
FH5123G6-23X	13.60	12.75	12.10	FH5123G6-44X	24.10	23.25	22.60
FH5123G6-24X	14.10	13.25	12.60	FH5123G6-45X	24.60	23.75	23.10

PCB Layout (Tolerance ±0.05)

FPC Connector Non ZIF SMT Straight Type 0.50mm Pitch

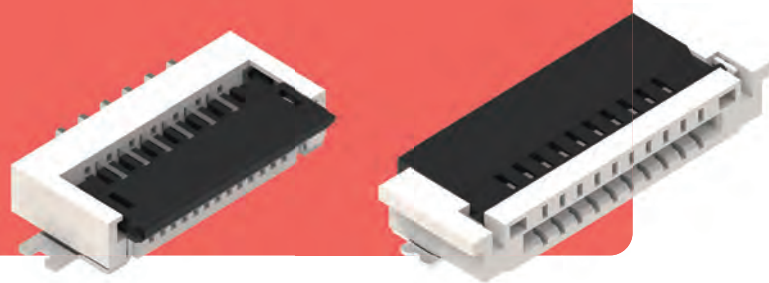
Dimensions

Part No. **Dimensions** **Part No.** **Dimensions**

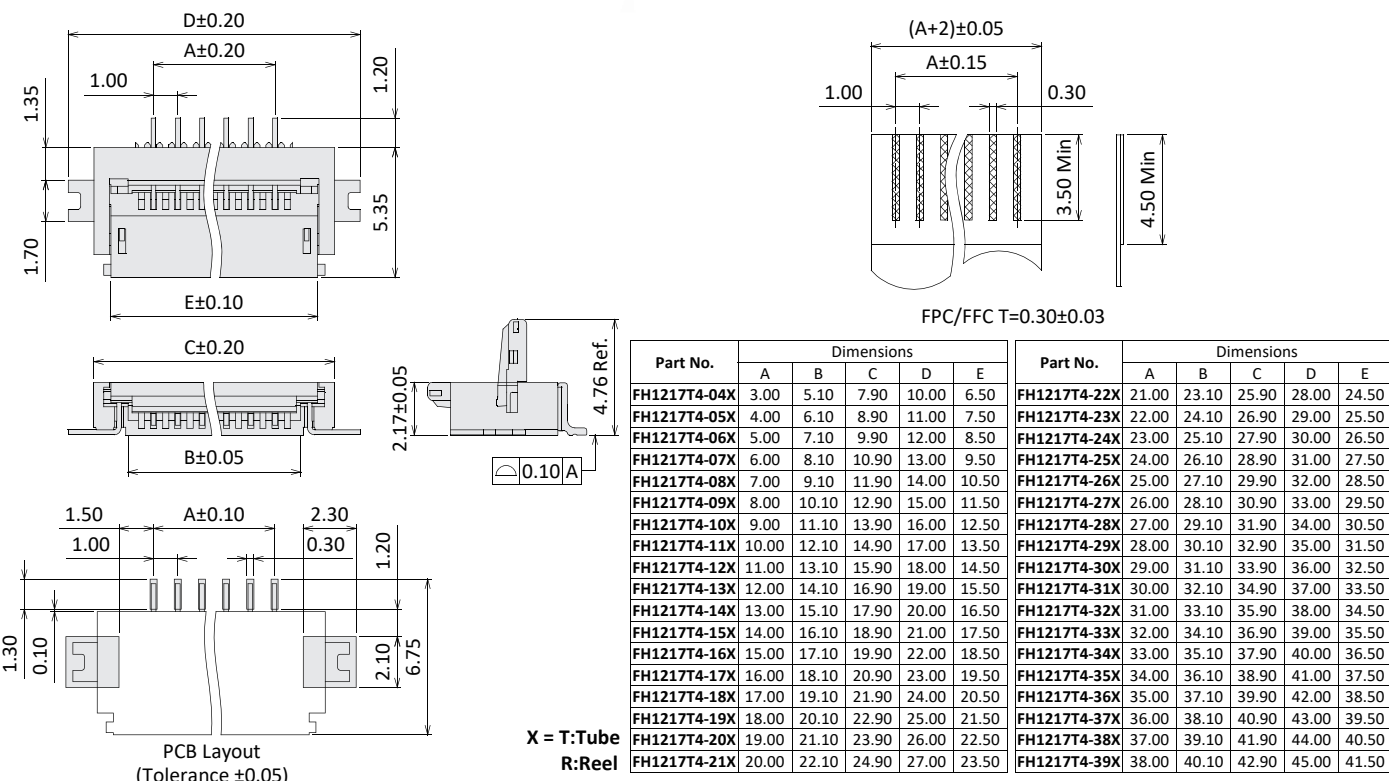
Part No.	A	B	C	D	Part No.	A	B	C	D
FH5381T4-06XA	2.50	4.50	3.60	6.00	FH5381T4-29XA	14.00	16.00	15.10	17.50
FH5381T4-07XA	3.00	5.00	4.10	6.50	FH5381T4-30XA	14.50	16.50	15.60	18.00
FH5381T4-08XA	3.50	5.50	4.60	7.00	FH5381T4-31XA	15.00	17.00	16.10	18.50
FH5381T4-09XA	4.00	6.00	5.10	7.50	FH5381T4-32XA	15.50	17.50	16.60	19.00
FH5381T4-10XA	4.50	6.50	5.60	8.00	FH5381T4-33XA	16.00	18.00	17.10	19.50
FH5381T4-11XA	5.00	7.00	6.10	8.50	FH5381T4-34XA	16.50	18.50	17.60	20.00
FH5381T4-12XA	5.50	7.50	6.60	9.00	FH5381T4-35XA	17.00	19.00	18.10	20.50
FH5381T4-13XA	6.00	8.00	7.10	9.50	FH5381T4-36XA	17.50	19.50	18.60	21.00
FH5381T4-14XA	6.50	8.50	7.60	10.00	FH5381T4-37XA	18.00	20.00	19.10	21.50
FH5381T4-15XA	7.00	9.00	8.10	10.50	FH5381T4-38XA	18.50	20.50	19.60	22.00
FH5381T4-16XA	7.50	9.50	8.60	11.00	FH5381T4-39XA	19.00	21.00	20.10	22.50
FH5381T4-17XA	8.00	10.00	9.10	11.50	FH5381T4-40XA	19.50	21.50	20.60	23.00
FH5381T4-18XA	8.50	10.50	9.60	12.00	FH5381T4-41XA	20.00	22.00	21.10	23.50
FH5381T4-19XA	9.00	11.00	10.10	12.50	FH5381T4-42XA	20.50	22.50	21.60	24.00
FH5381T4-20XA	9.50	11.50	10.60	13.00	FH5381T4-43XA	21.00	23.00	22.10	24.50
FH5381T4-21XA	10.00	12.00	11.10	13.50	FH5381T4-44XA	21.50	23.50	22.60	25.00
FH5381T4-22XA	10.50	12.50	11.60	14.00	FH5381T4-45XA	22.00	24.00	23.10	25.50
FH5381T4-23XA	11.00	13.00</							

FPC Connector

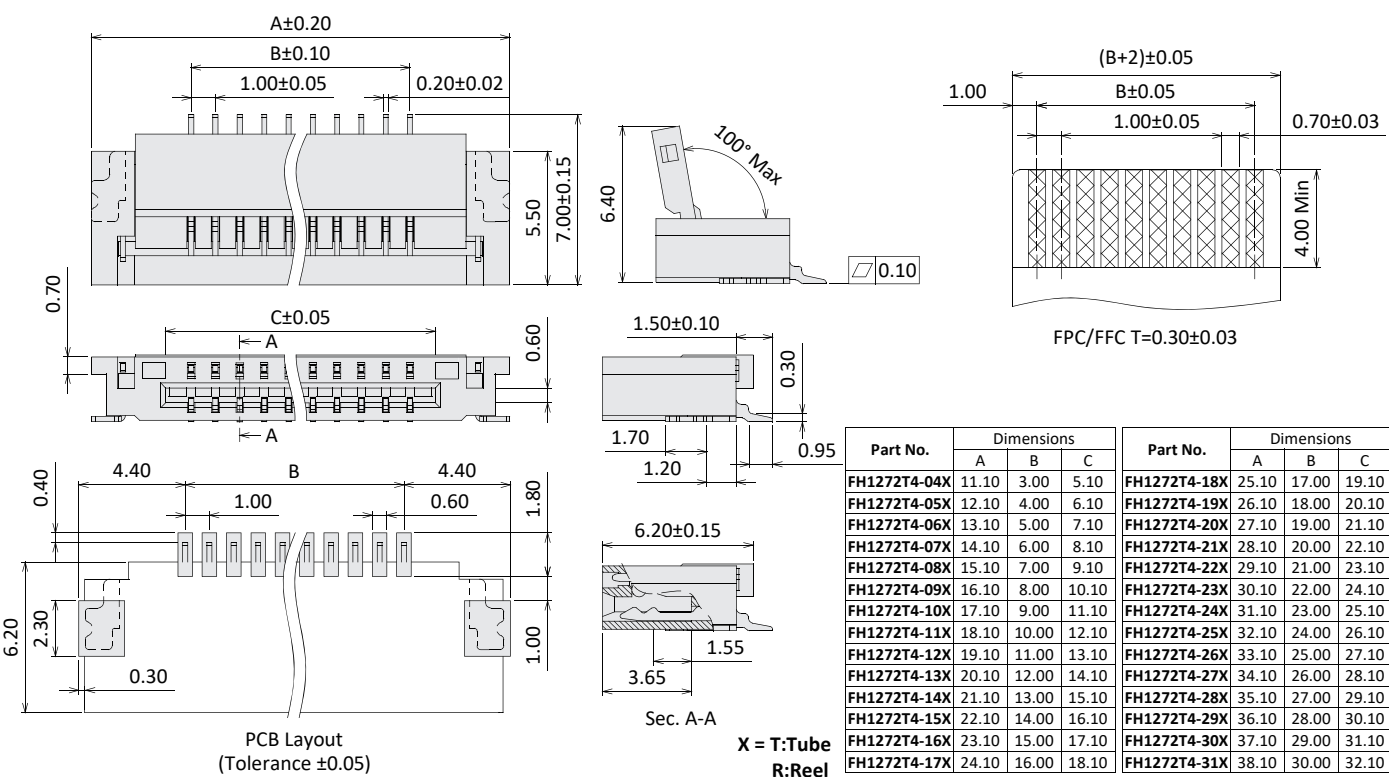
Current Rate: 1.0A
 Dielectric Voltage: 500V AC for one minute
 Insulation Resistance: 500MΩ Min.
 Contact Resistance: 20mΩ Max.
 Material Contact: Copper Alloy, Tin Plated
 Material Insulator: LCP, UL94V-0
 Operating Temperature: -25°C~+85°C



FPC Connector ZIF Flip SMT Right Angle Type 1.00mm Pitch



FPC Connector ZIF Back Flip SMT Right Angle Type 1.00mm Pitch

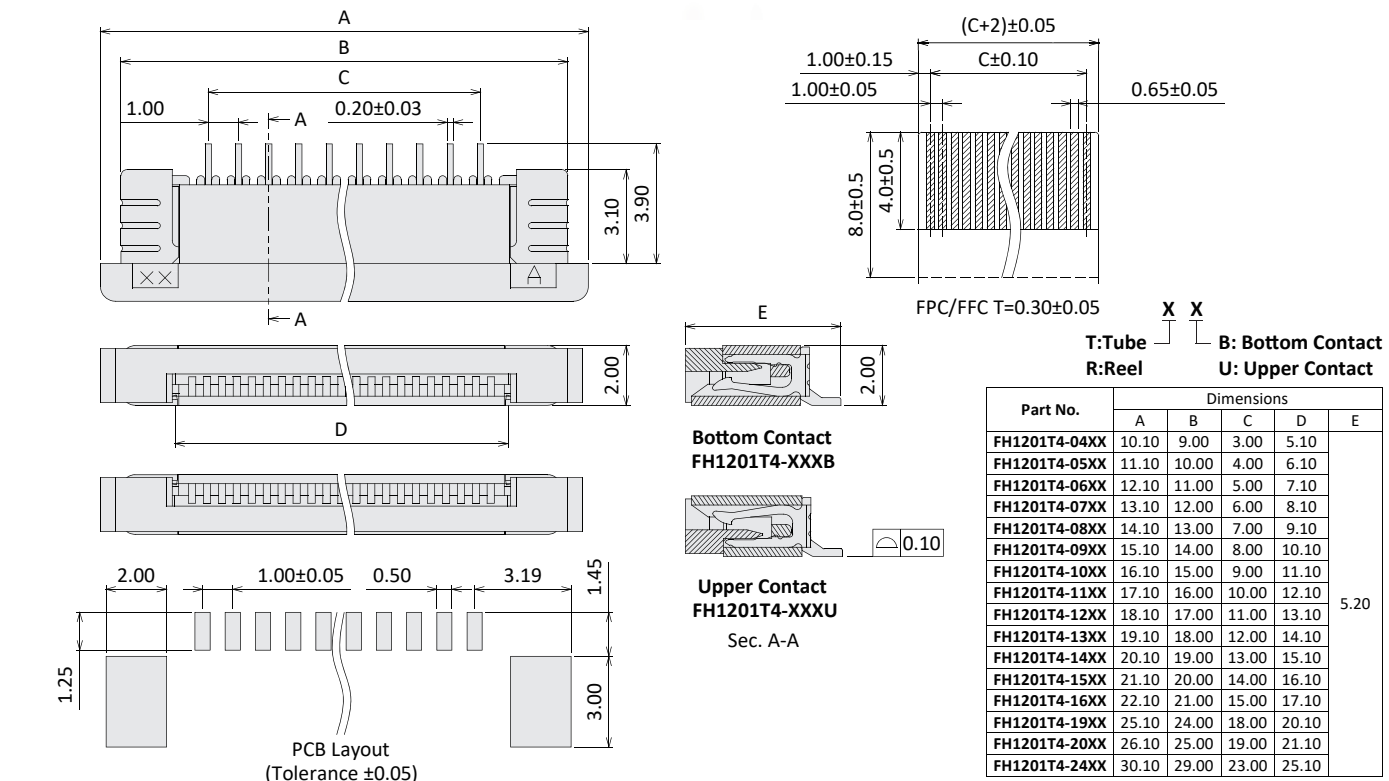


FPC Connector

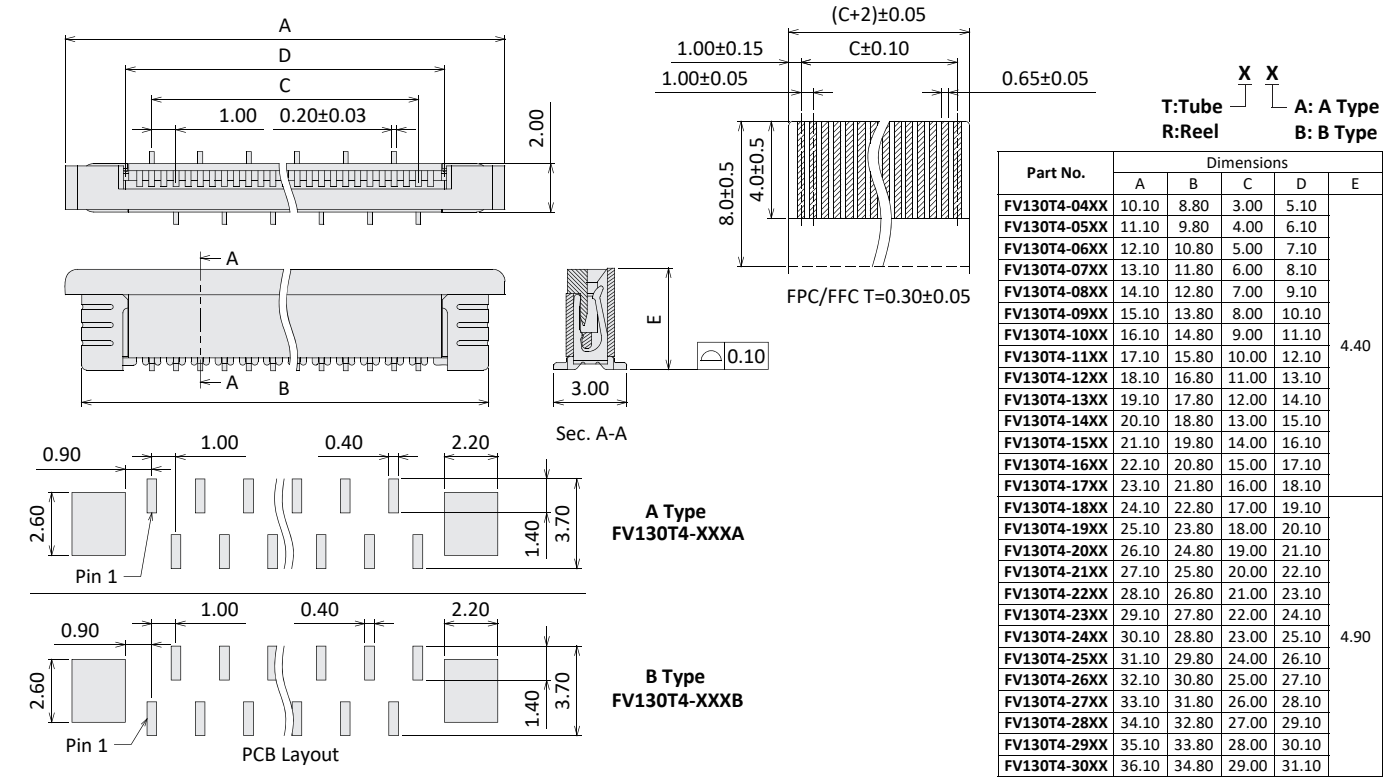
Current Rate: 0.4A
 Dielectric Voltage: 250V AC for one minute
 Insulation Resistance: 100/250MΩ Min.
 Contact Resistance: 30/40mΩ Max.
 Material Contact: Copper Alloy, Tin Plated
 Material Insulator: LCP, UL94V-0
 Operating Temperature: -25°C~+85°C



FPC Connector ZIF SMT Right Angle Type 1.00mm Pitch

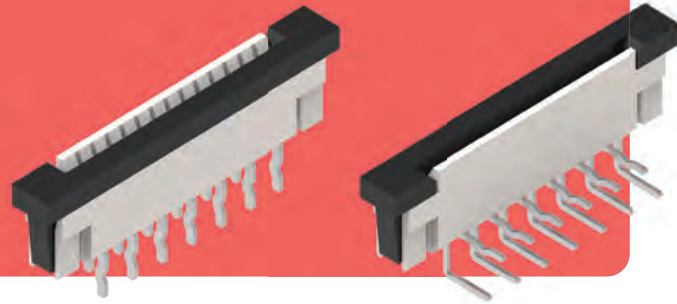


FPC Connector ZIF SMT Straight Type 1.00mm Pitch

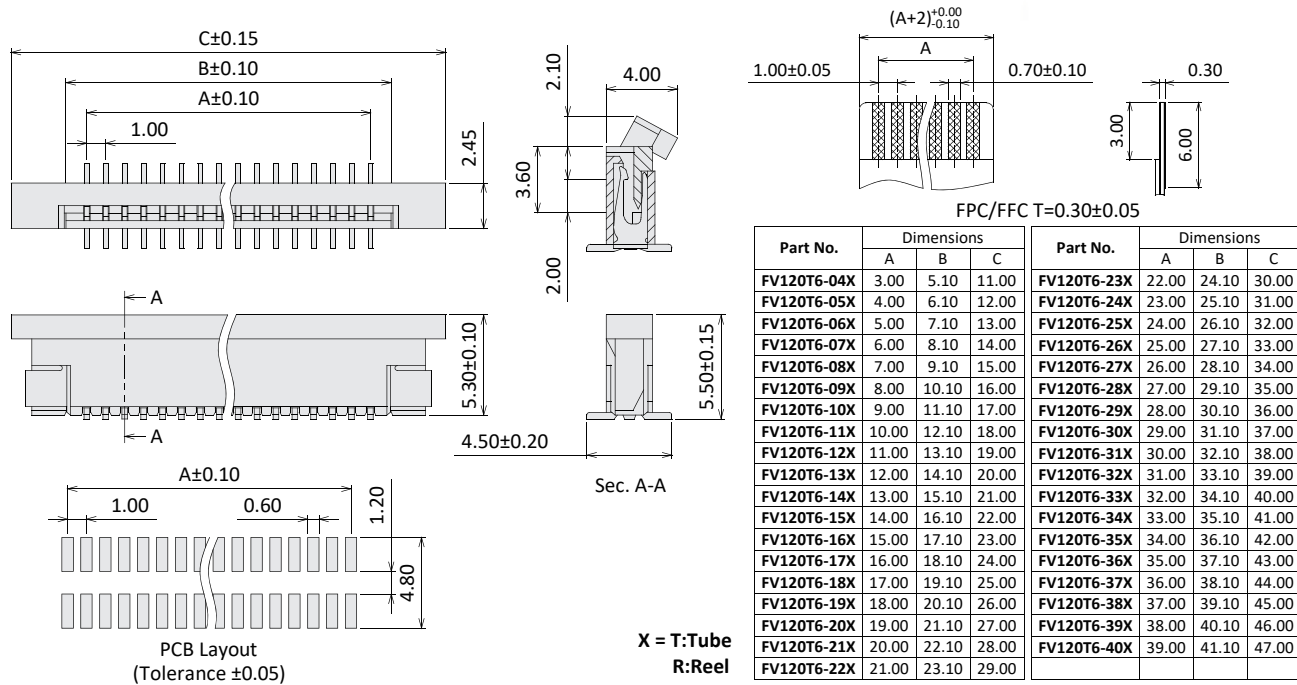


FPC Connector

Current Rate: 0.5A
 Dielectric Voltage: 500V AC for one minute
 Insulation Resistance: 500MΩ Min.
 Contact Resistance: 30mΩ Max.
 Material Contact: Copper Alloy, Tin Plated
 Material Insulator: NY46 or LCP, UL94V-0
 Operating Temperature: -25°C~+85°C

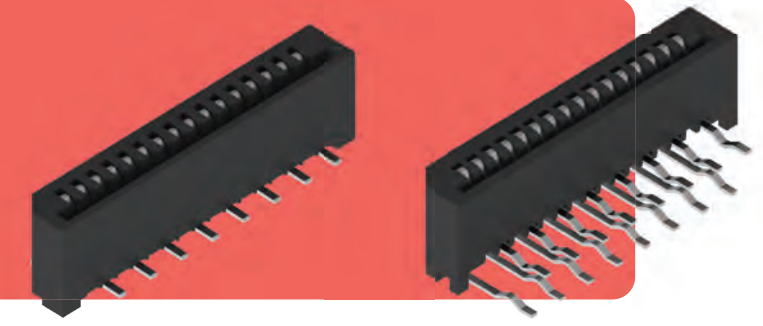


FPC Connector ZIF SMT Straight / DIP Right Angle & Straight Type 1.00mm Pitch

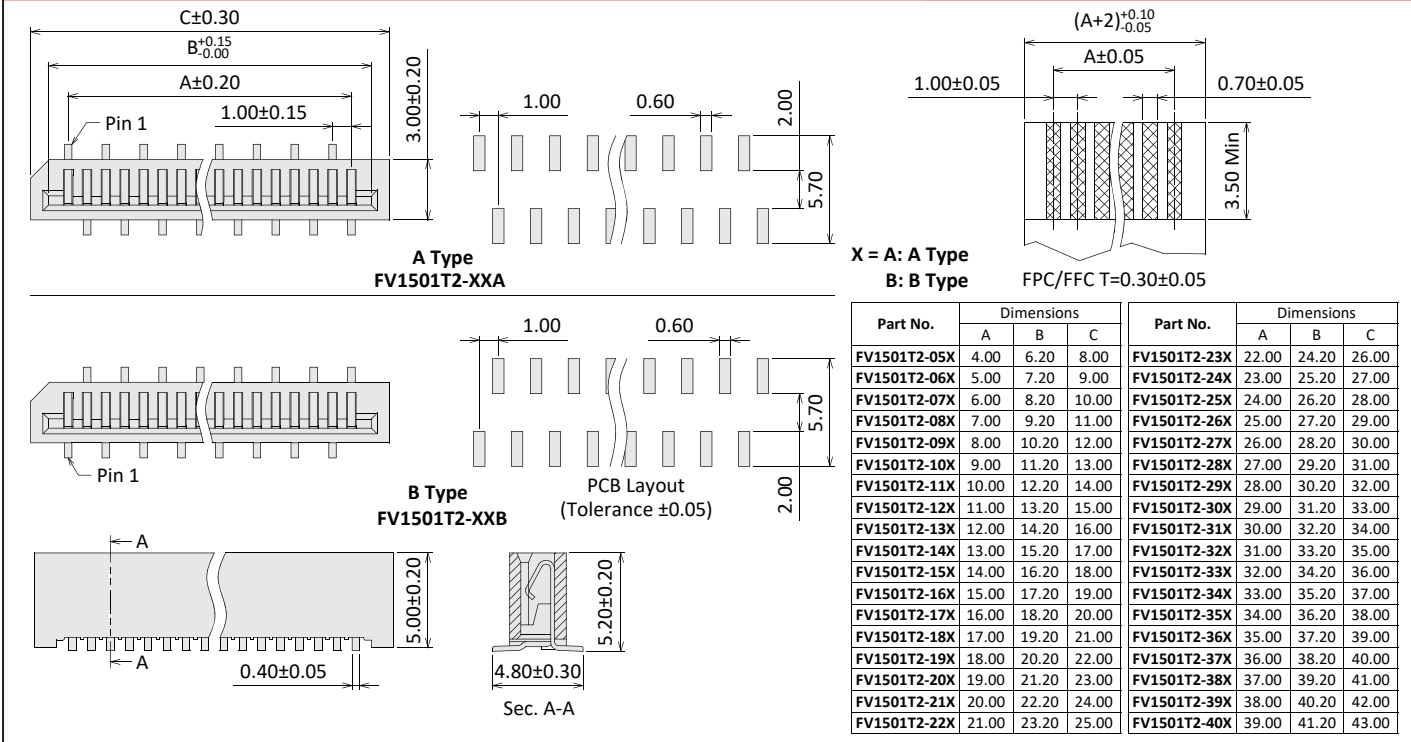


FPC Connector

Current Rate: 1A
 Dielectric Voltage: 500V AC for one minute
 Insulation Resistance: 500MΩ Min.
 Contact Resistance: 30mΩ Max.
 Material Contact: Copper Alloy, Tin Plated
 Material Insulator: Nylon 6T, UL94V-0
 Operating Temperature: -25°C~+85°C



FPC Connector Non ZIF SMT Straight / DIP Right Angle & DIP Straight Type 1.00mm Pitch

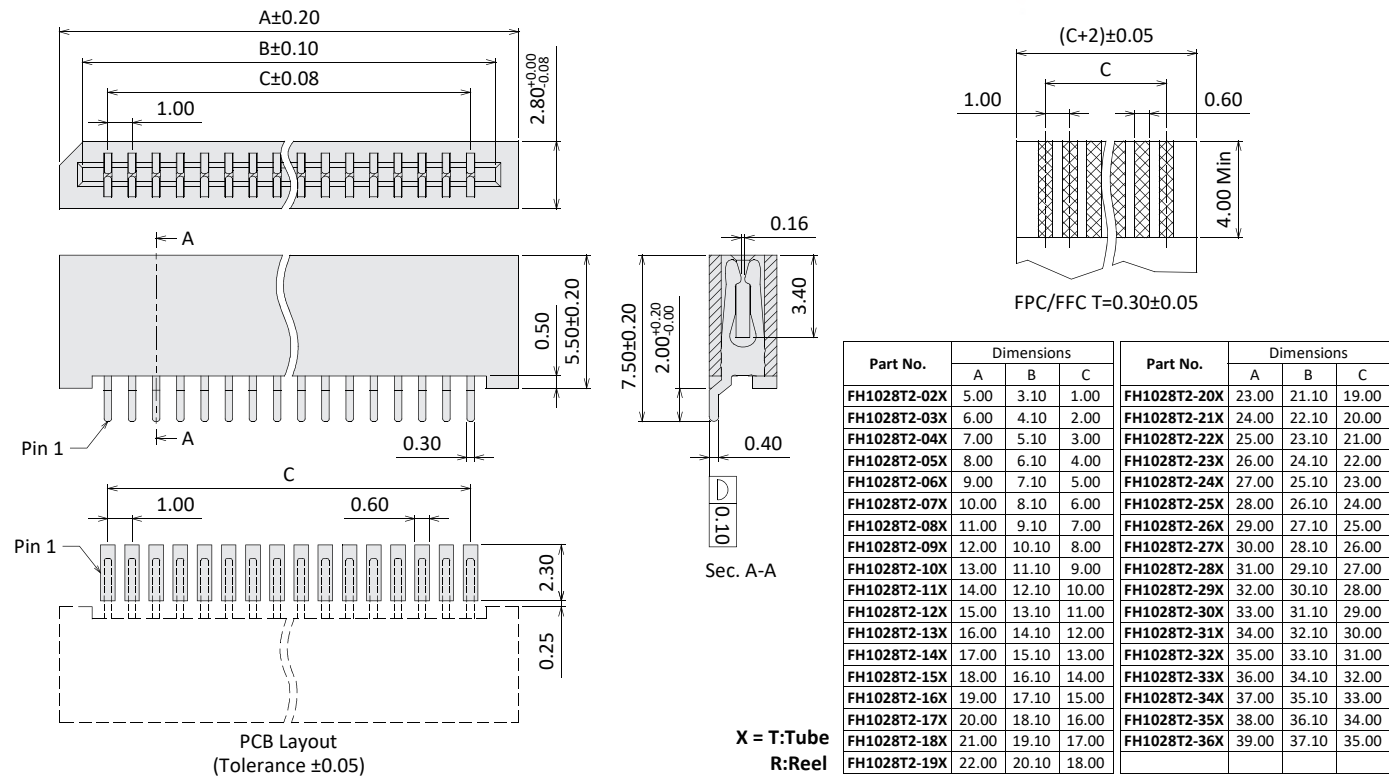


FPC Connector

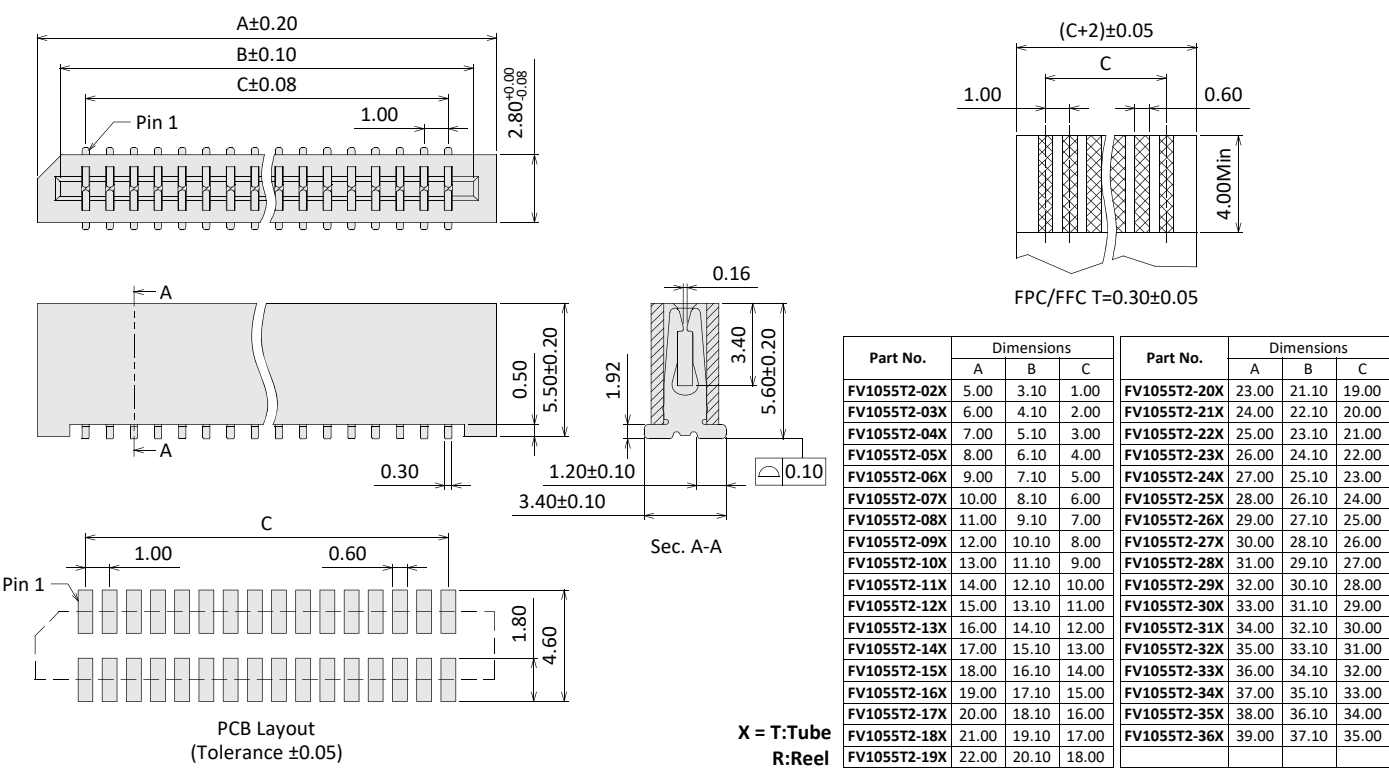
Current Rate: 1A
 Dielectric Voltage: 500V AC for one minute
 Insulation Resistance: 500MΩ Min.
 Contact Resistance: 30mΩ Max.
 Material Contact: Copper Alloy, Tin Plated
 Material Insulator: Thermoplastic, UL94V-0
 Operating Temperature: -25°C~+85°C



FPC Connector Non ZIF SMT Right Angle Type 1.00mm Pitch

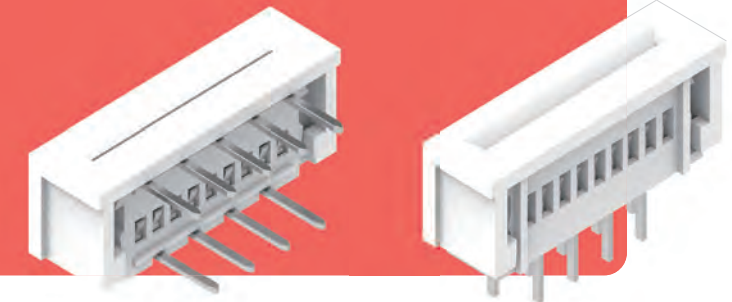


FPC Connector Non ZIF SMT Straight Type 1.00mm Pitch

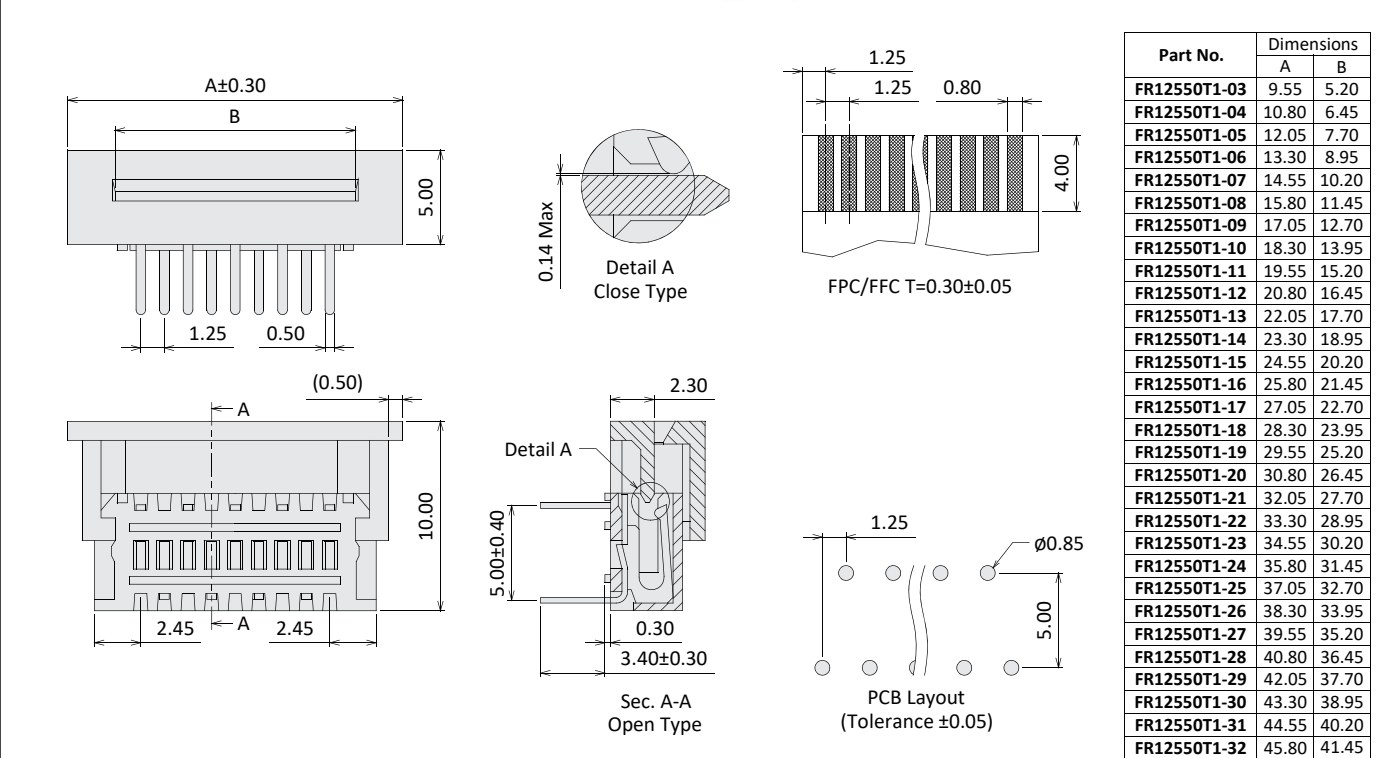


FPC Connector

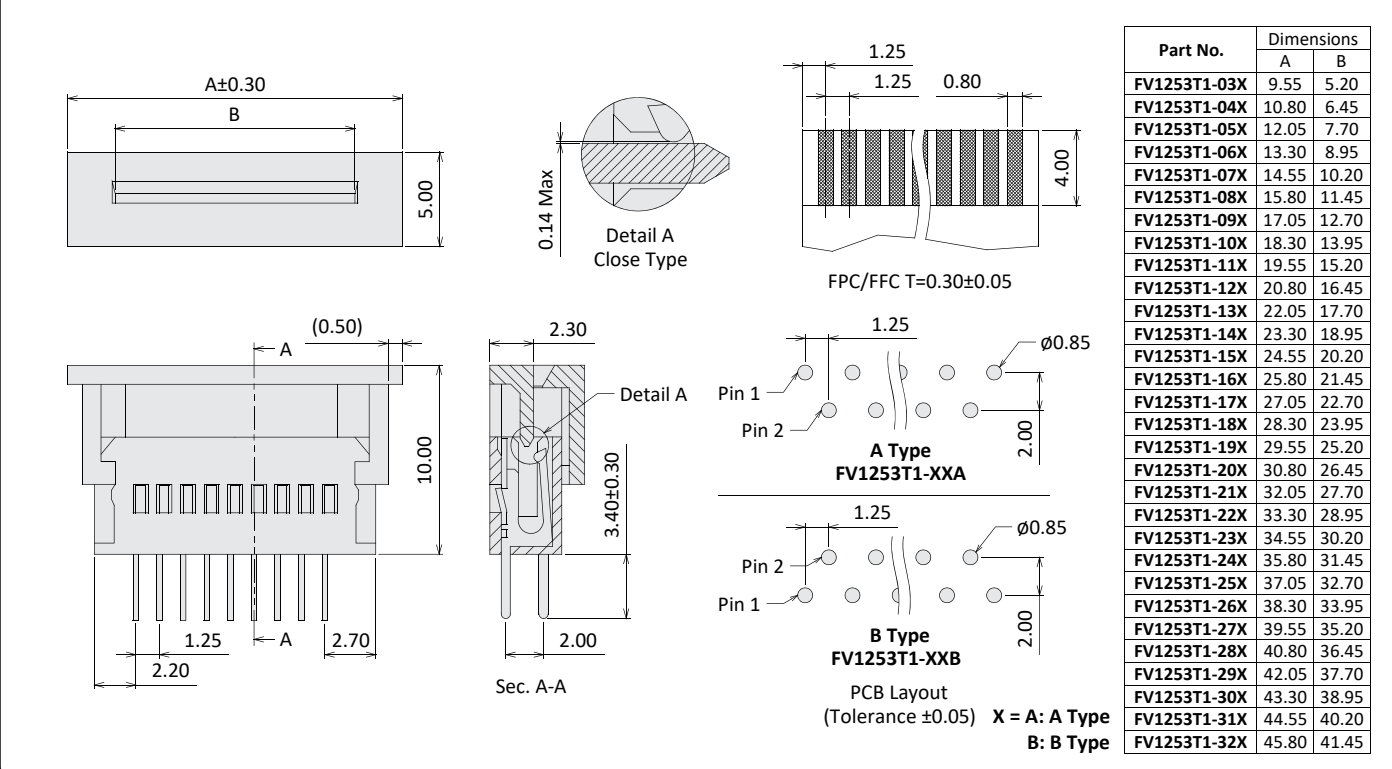
Current Rate: 1A
 Dielectric Voltage: 500V AC for one minute
 Insulation Resistance: 500MΩ Min.
 Contact Resistance: 20mΩ Max.
 Material Contact: Copper Alloy, Tin Plated
 Material Insulator: PBT, UL94V-0
 Operating Temperature: -55°C~+85°C



FPC Connector ZIF DIP Right Angle Type 1.25mm Pitch

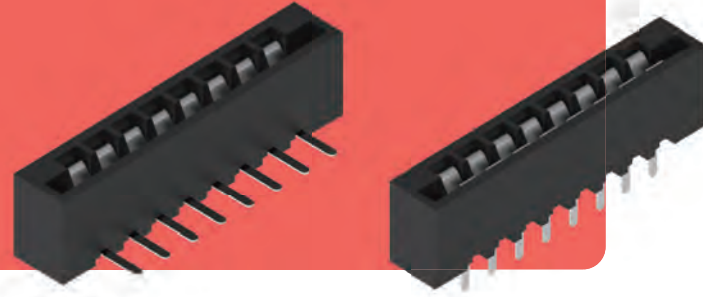


FPC Connector ZIF DIP Straight Type 1.25mm Pitch

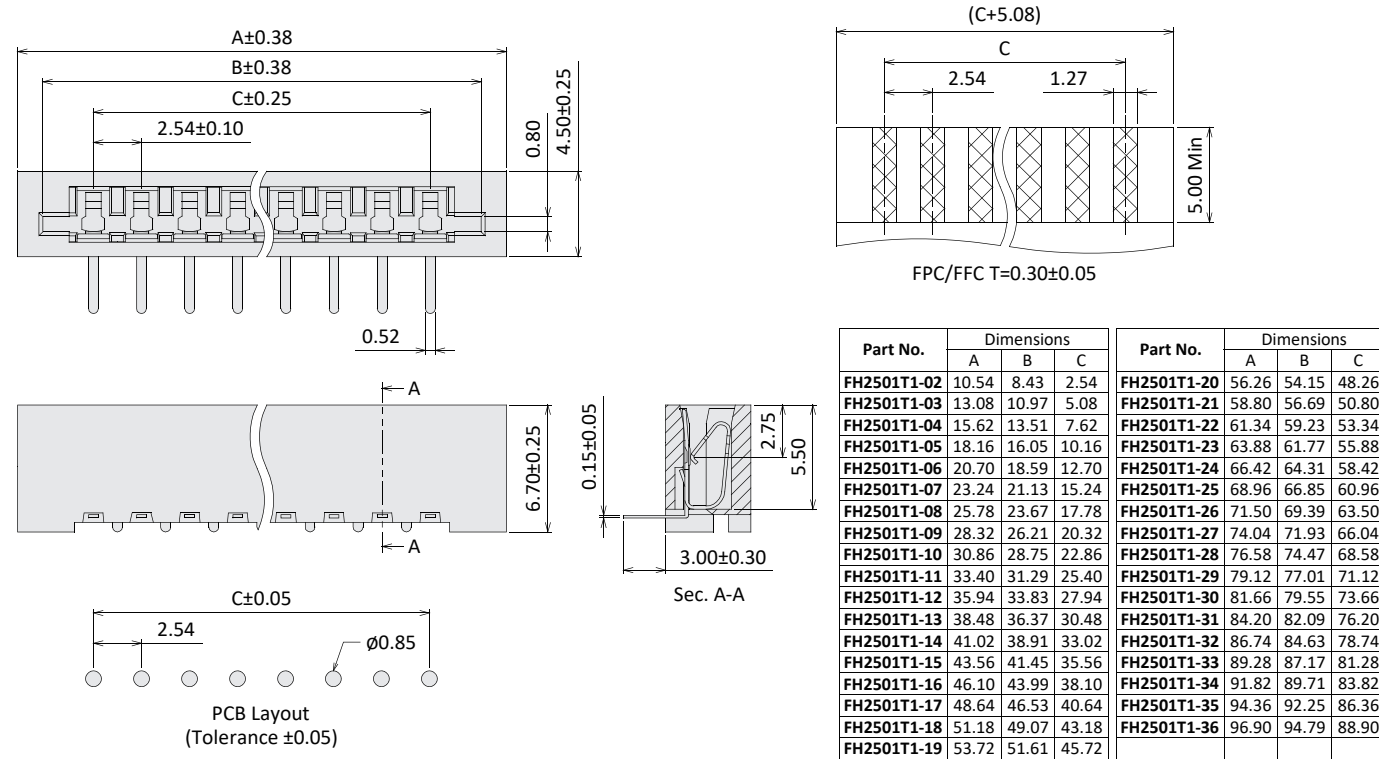


FPC Connector

Current Rate: 3A
 Dielectric Voltage: 1000V AC for one minute
 Insulation Resistance: 1000MΩ Min.
 Contact Resistance: 30mΩ Max.
 Material Contact: Copper Alloy, Tin Plated
 Material Insulator: Thermoplastic, UL94V-0
 Operating Temperature: -25°C~+85°C



FPC Connector Non ZIF DIP Right Angle Type 2.54mm Pitch



FPC Connector Non ZIF DIP Straight Type 2.54mm Pitch

